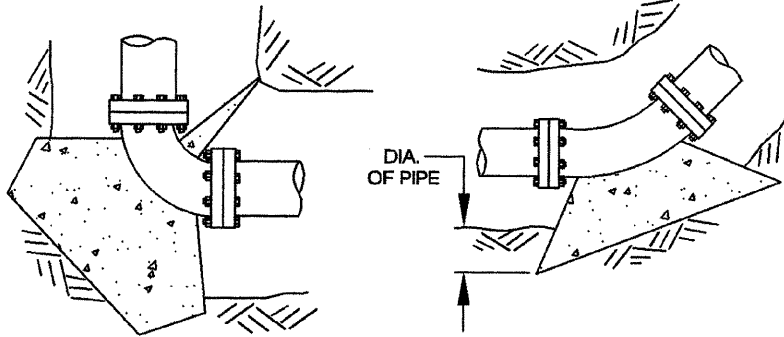
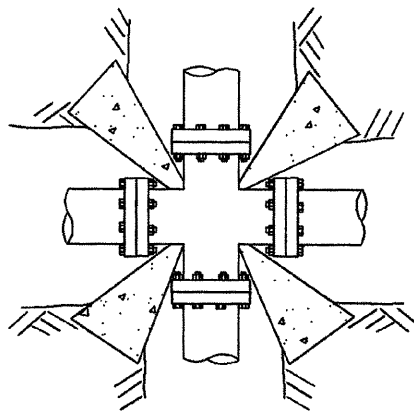


TEE

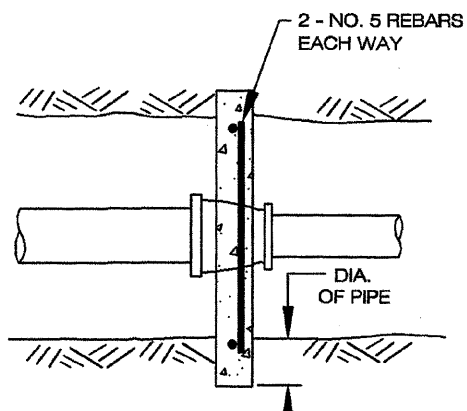
DIA.
OF PIPE



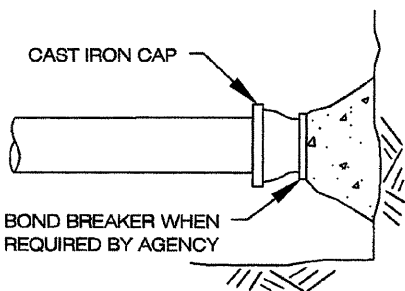
HOR. OR VER.
BENDS



CROSS BLOCKING

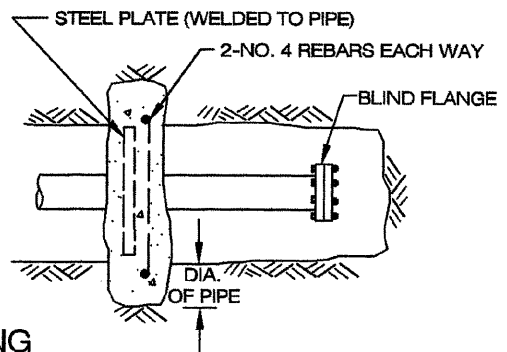


REDUCER



PVC PIPE
ELEVATION

DEAD END BLOCKING



STEEL PIPE PLAN

- NOTES:
1. CONC. SHALL BE 470-C-2000
 2. SEE STD. DWG. 5-8 FOR BEARING AREAS
 3. BEARING AREAS TO BE FLAT AND CORNERS SQUARE.

REVISIONS	APPROVED	DATE	VISTA IRRIGATION DISTRICT	PATH: (TOM) H:\STDDWGS\5-7.DWG	
			CONCRETE THRUST BLOCKS	JOHN AMODEO DATE R. C. E. 31161	
					STANDARD DRAWING 5-7
ACAD		6/96			