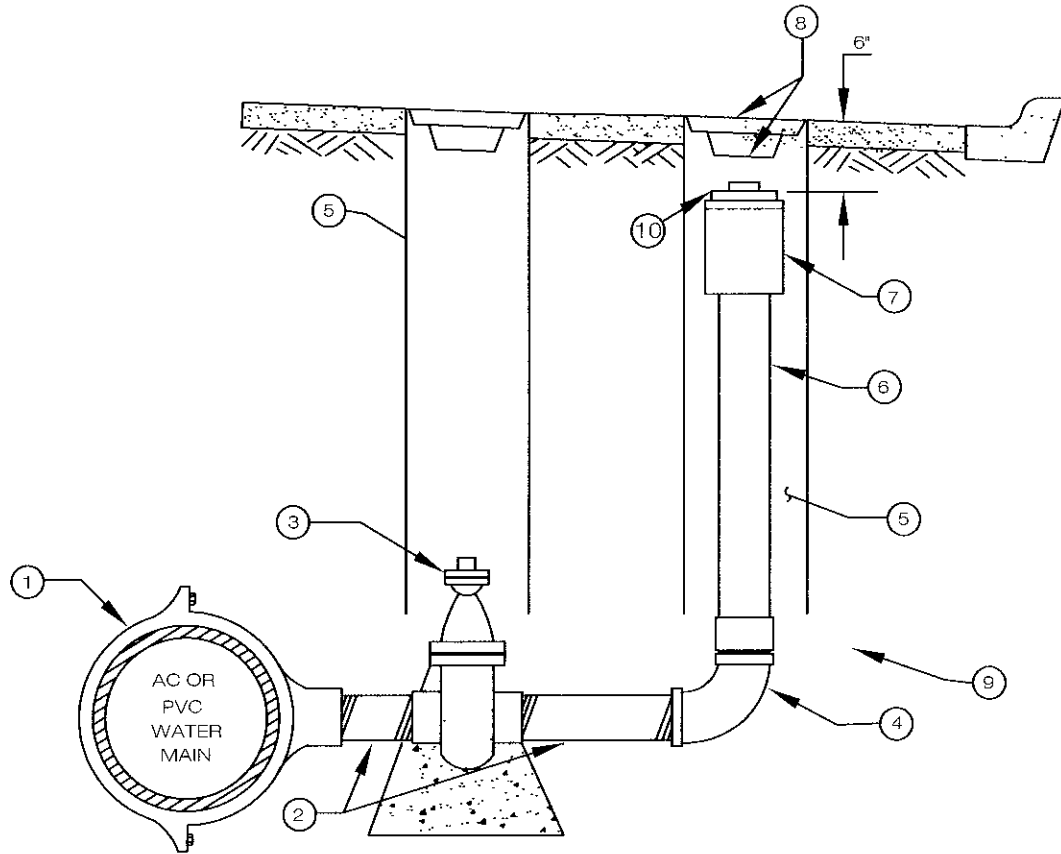



TYPE A



- ① DOUBLE STRAP BRONZE SERVICE SADDLE ON A.C. PIPE  
BRONZE OR BRASS SADDLE WITH STAINLESS STEEL FOUR BOLT STRAPS FOR PVC
- ② 2"x 6" BRASS NIPPLE & 2" x 12" BRASS NIPPLE
- ③ 2" NON RISING STEM, FIP x FIP,  
CAST IRON EPOXY COATED GATE VALVE, CL200  
W/ 2" Op NUT
- ④ 2" BRASS 90° ELL
- ⑤ VALVE WELLS (SEE STD. DWG. 5-3)
- ⑥ SCHEDULE 80 PVC PIPE
- ⑦ THREADED FEMALE ADAPTER  
SCHEDULE 80
- ⑧ 6" MIN. TO FINISH GRADE
- ⑨ THREADED MALE ADAPTER  
SCHEDULE 80
- ⑩ SCHEDULE 80 PLUG

 LEGEND ON PLANS

REVISIONS	APPROVED	DATE	VISTA IRRIGATION DISTRICT	
UPDATED	B. SMITH	03/25/11	2" BLOW OFF ASSEMBLY TYPE A	 3/25/11 BRIAN SMITH      DATE R.C.E. 39926
				STD. DWG. 3-1