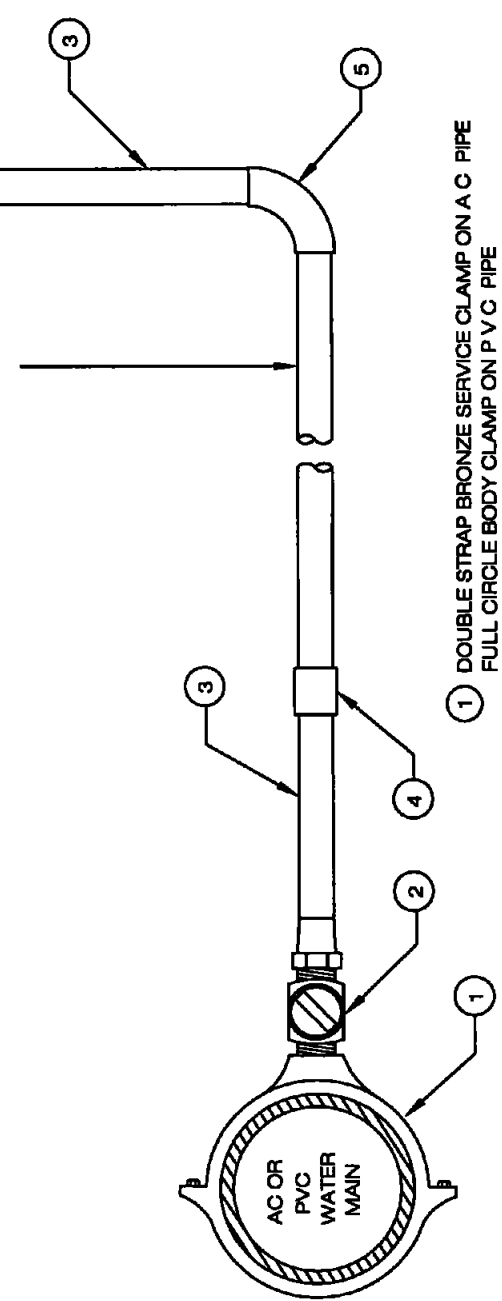
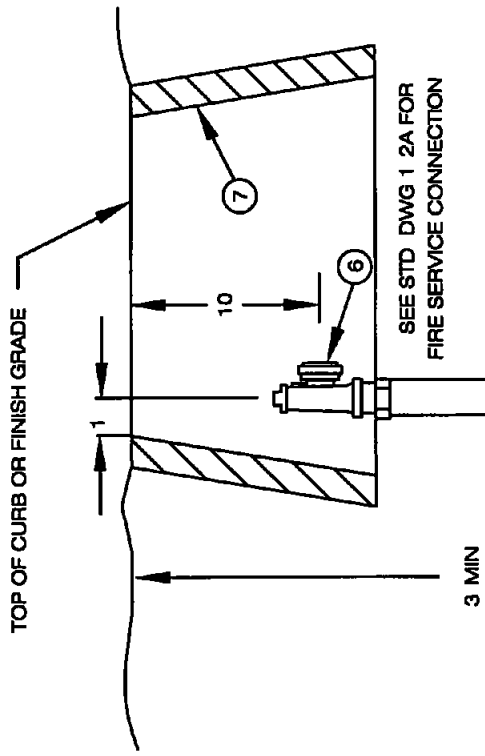


\* IF SEPARATE FIRE SPRINKLER METER REQUIRED  
SEE STANDARD DRAWING 1-2A  
(DEDICATED RESIDENTIAL FIRE SERVICE CONNECTION)



**NOTES**

- 1 ALL WATER METER OUTLETS SHALL BE LOCATED WITHIN LANDSCAPED AREAS PLACEMENT OF OUTLETS IN PAVED AREAS REQUIRE PRIOR APPROVAL AND SHALL BE IDENTIFIED ON THE IMPROVEMENT PLANS WITH THE SYMBOL \*
  - 2 SILVER SOLDER JOINTS REQUIRED
  - 3 INSTALL CATHODIC PROTECTION PER STD DWG 8 14
  - 1 DOUBLE STRAP BRONZE SERVICE CLAMP ON A C PIPE FULL CIRCLE BODY CLAMP ON P V C PIPE
  - 2 BRONZE CORPORATION STOP (INSTALLED WITH KEY ON SIDE AND OPEN TAP)
  - 3 COPPER TUBING TYPE 'K'
  - 4 COUPLING AS REQUIRED WHEN SERVICE IS 20 OR LONGER
  - 5 90 ELL
  - 6 BRONZE ANGLE SERVICE STOP WITH LOCKING DEVICE AND ADAPTABLE TO 1 1/2 AND 2 METER FLANGE
  - 7 METER BOX (SEE STD DWG 1 4 FOR LOCATION)
- METER BOX LOCATED IN TRAVELED WAYS PAVED AREAS AND SIDEWALKS SHALL BE CONCRETE ALL OTHERS SHALL BE PLASTIC

1 1/2  
OR 2  
DOMESTIC (W)

LEGEND ON PLANS

LAST DRAWING APPROVAL DATE

12 / 02 / 89

VISTA IRRIGATION DISTRICT

1 1/2" X 2"  
WATER SERVICE

PATH Z ENGINEERING\TOMSTD\DWGS\1 2 DWG

REVISED JULY 17 2003

JOHN AMODEO  
R C E 31161

DATE  
*John Amodeo* 9/25/03

STANDARD DRAWING 1-2